



LB 200

Tronic G

Counter Top Batch Freezer to accommodate a range of production needs for Gelato, Sorbet, Premium Custard & low overrun Frozen Desserts.



Performance Full size freezing chamber Makes up to 5 quart batches. Adjustable electronic consistency control ensures product consistency at different loads. Can accommodate both small and large production needs. Self-adjusting scraper blades create creamy Gelato texture.



Convenience Runs on single phase power to fit into almost any setting. Countertop machine can fit into most locations. Electronic touch pad provides operational information. Easy to handle machine automatically provides appropriate consistency regardless of the ingredients used in each flavor.



Savings Add freshly made Gelato or Premium Ice Cream to the product offering and gain independence on choice of flavors and cost. Self-adjusting scraper can be replaced without needing a new beater. Air-cooled version is available.

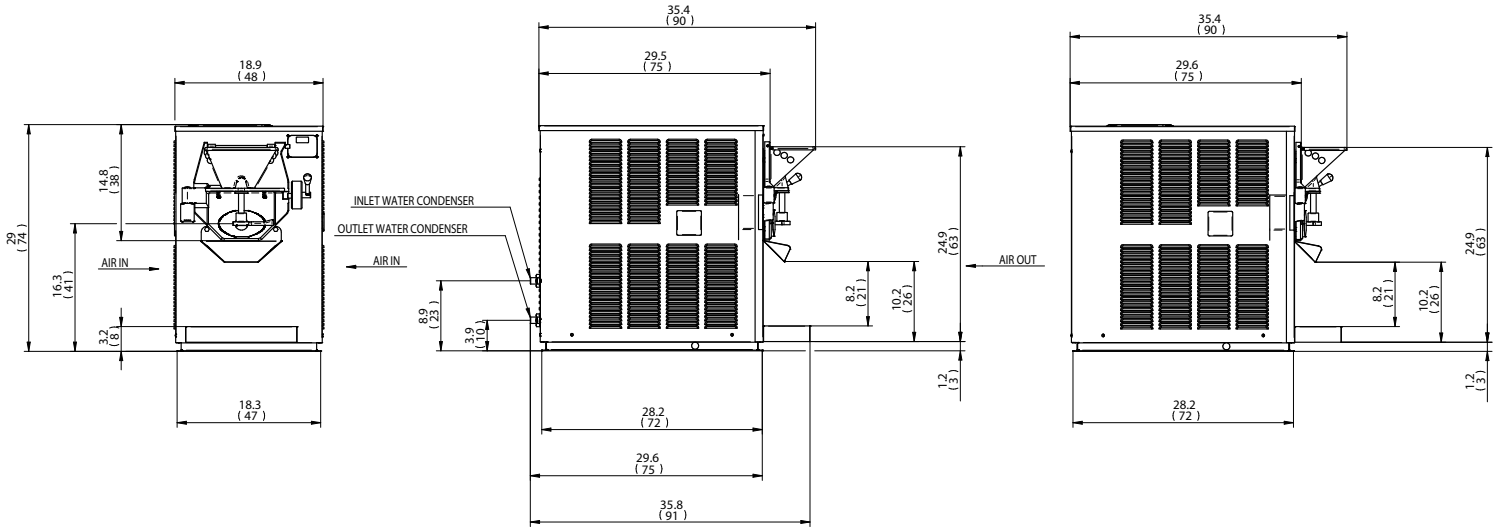


Hygiene Door design aids complete extraction, resulting in minimal product residue and flavor overlap.



*Carpi Care kit: request it from your dealer to always keep your machine hygienically perfect

carpigiani.com/us



	WATER		AIR	
Weights	lbs.	kgs.	lbs.	kgs.
Net	397	180	397	180
Crated	414	188	414	188
	cu. ft.	cu. m.	cu. ft.	cu. m.
Volume	29.7	0.84	30.38	0.86
Dimensions	in.	cm.	in.	cm.
Width	18.9	48	18.9	48
Depth	35.8	91	37.4	88
Height	28.8	73	29	74
Electrical	Maximum Fuse Size	Minimum Circuit Ampacity	Poles (P) Wires (W)	
208-230/60/1 Water	40A	38A	1P, 1W	
208-230/60/1 Air	40A	38A	1P, 1W	

Specifications

Electrical

A dedicated electrical connection is required. Manufactured to be permanently connected. See the Electrical chart for the proper electrical requirements. Consult your local Carpigiani distributor for cord & receptacle specifications as local codes allow.

Beater Motor

2 HP

Refrigeration System

R404A

Water Cooled

Water inlets and drain connections in the rear 1/2" MPT

Air Cooled *

Minimum clearance: 6" (15 cm) on both side panels and 12" (30 cm) from the rear panel for proper air circulation.

Cylinder Capacity

5 quarts (4.7 liters)

All specifications mentioned must be considered approximate; Carpigiani reserves the right to modify, without notice, all parts deemed necessary. This unit may be manufactured in other electrical characteristics and may have additional regulatory agency approvals, please consult the local Carpigiani Distributor. Check name plate for exact electrical data. * Room temperature 68°F (20°C).

Bidding Specs

Electrical Volt _____ Hz _____ Ph _____ Neutral Yes No Cooling Air Water

Options _____



Texas Distributor & Authorized Service
 Contact: Lee Mamone
 lee@coolersinc.com
 (713) 665-8886